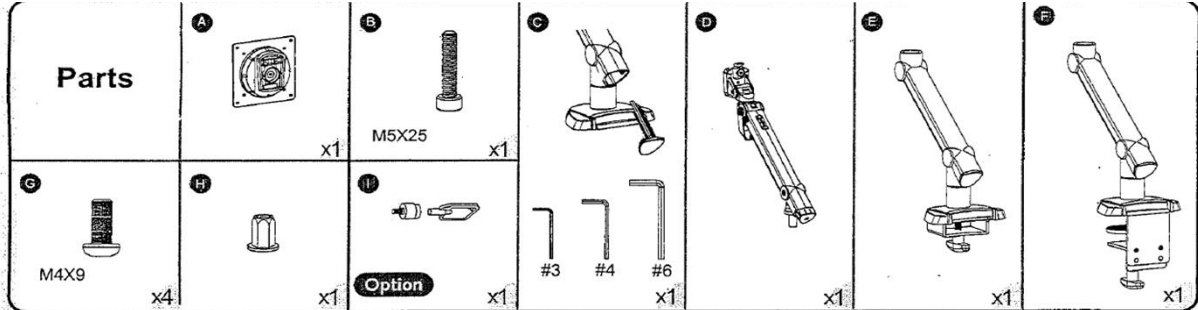


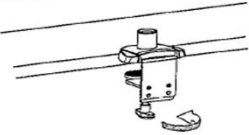
DYNAMIC ONE MONITOR ARM

INSTALLATION GUIDE

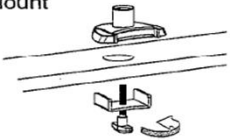


Step 1

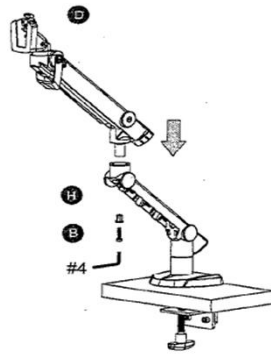
F Clamp Mount Type



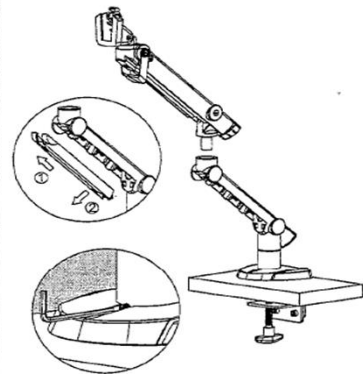
E Grommet Mount Type



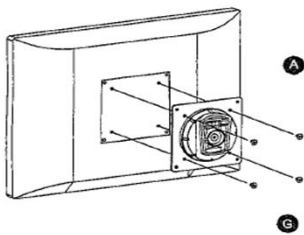
Step 2



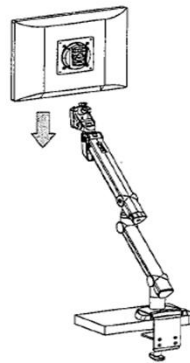
Step 3



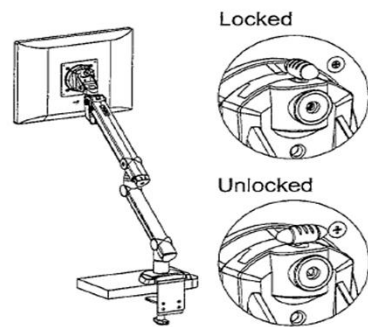
Step 4



Step 5

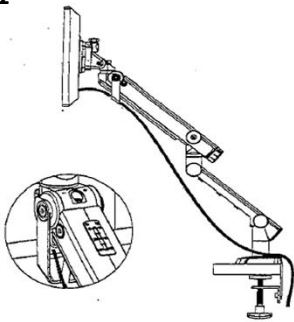


Step 6

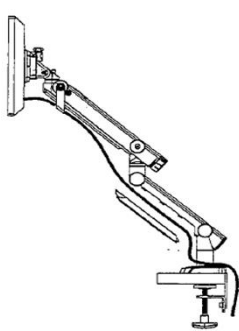


CABLE MANAGEMENT

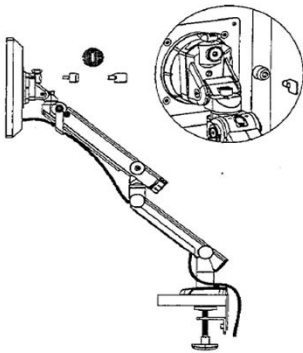
1



2



3



TENSION ADJUSTMENT

Use #6 allen key, adjust by hand, or hex drill bit for fast adjustment
To tighten strut, rotate crank to the right to increase tension (For heavy or dual screens)
To loosen strut, rotate crank to the left to decrease tension (For lightweight screens)
See visible tension gauge on top of arm for tension setting

