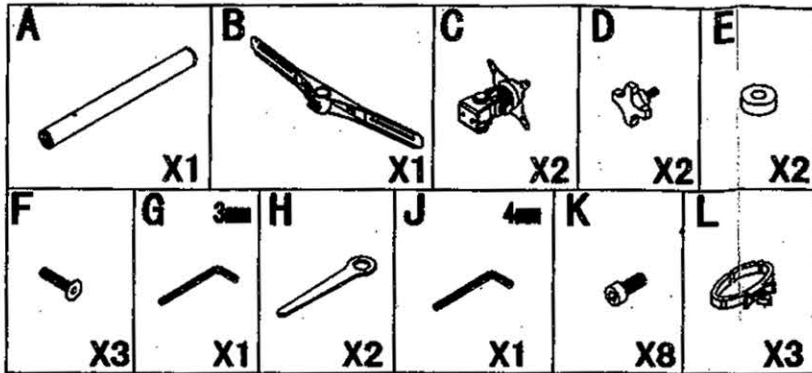


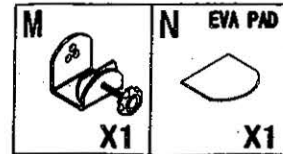
# ECO7 DUAL MONITOR ARM

## FOR USE WITH ELEVAR QUICKSHIFT

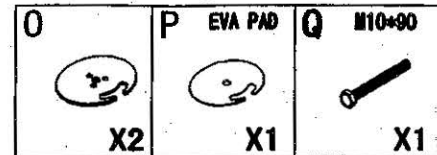
What's in the box?



OPTION A: Desk Clamp Kit



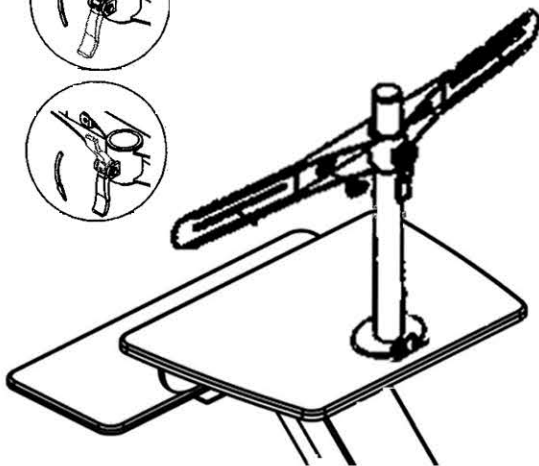
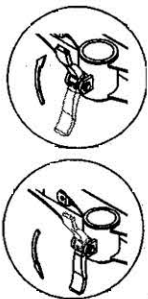
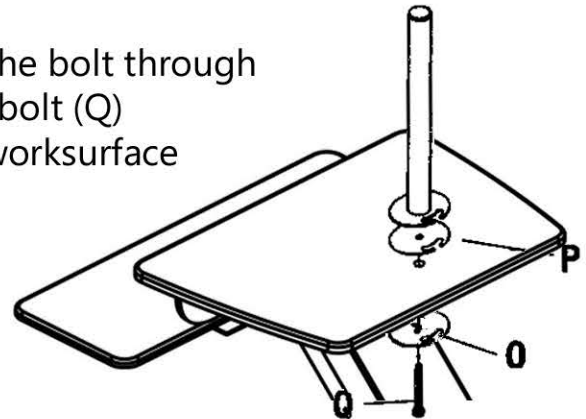
OPTION B: Bolt Through Kit



USE OPTION B: BOLT THROUGH KIT WITH QUICKSHIFT

Step 1: Connect the post to the QuickShift using the bolt through plates (O), the foam EVA pad (P) and the M10\*90 bolt (Q) through the pre-drilled 11mm hole found in the worksurface of the QuickShift.

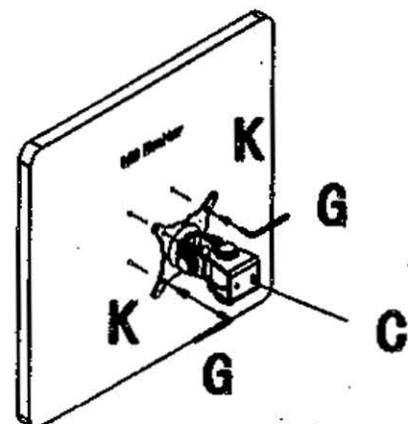
NB: One of the bolt through plates (O) will already be connected to the main post (A). If you wish to use the ECO7 Dual Monitor Arm at a later date on a different surface you can by replacing Option B: Bolt Through Kit with Option A: Desk Clamp Kit.

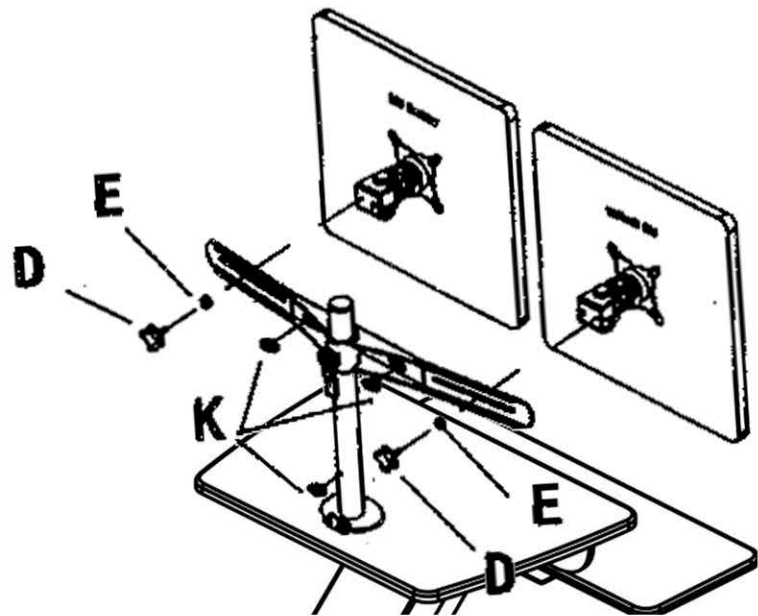


Step 2: Mount the dual arm (B) to the monitor post (A). Fit into place and lock the arm onto the post by depressing the lever found at the back of the monitor arm.

NB: You can adjust the height of the monitors and monitor arm by lifting the lever at the back of the monitor arm and raising or lowering on the post. PLEASE ENSURE YOU ARE HOLDING THE SCREEN FIRMLY WHEN RELEASING THE LOCK ON THE MONITOR ARM.

Step 3: Using the 3mm Allen key (G), mount the monitor to the monitor head (C) with the M4\*10 screws (K). Repeat this process for the second monitor and head. There will be 4x M4\*10 screws (K) per monitor.

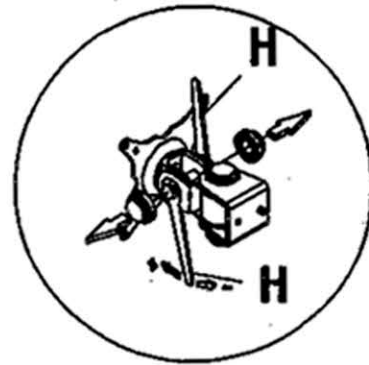




Step 4: Mount the monitor secured to the monitor head (C) using the large nylon washer (E) and the monitor head fixing screw (D). Repeat the process for the second monitor and monitor head.

Step 5: If required, remove the caps covering the tilt bolt on the monitor head (C) and tighten using the 2x wrenches provided (H)

NB: This step will only need to be performed if the monitor is tilting forward due to its added weight on the head.



Step 6: Attach the cable holder clips (K) to the monitor arm and post as shown in the diagram above.

YOUR QUICKSHIFT WITH DUAL MONITOR ARM IS NOW READY TO BE USED

**ELEVAR**  
Ph. 1300 141 142