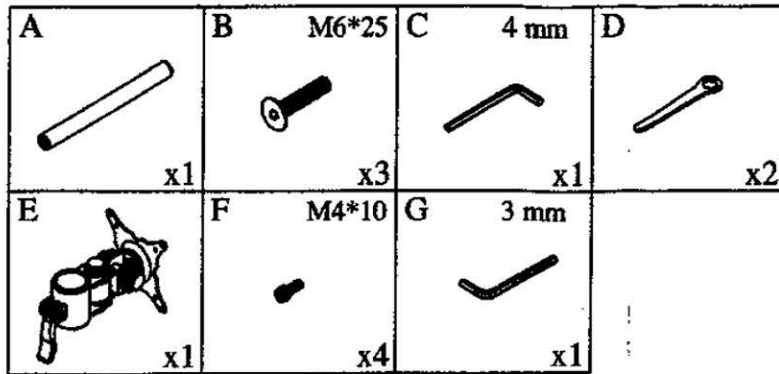
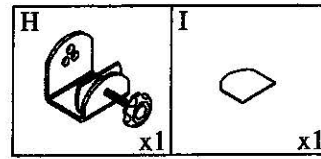


PLUTO FLUSH MONITOR ARM FOR USE WITH ELEVAR QUICKSHIFT

What's in the box?



Option A: Desk Clamp Kit



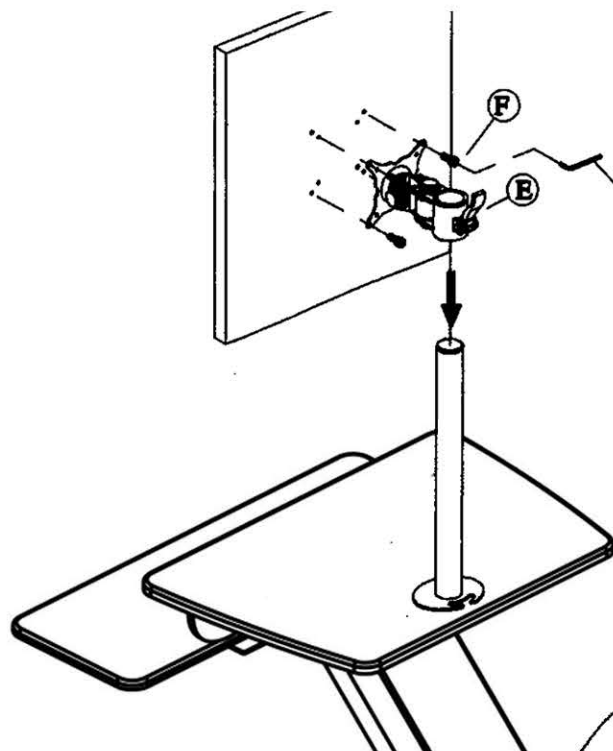
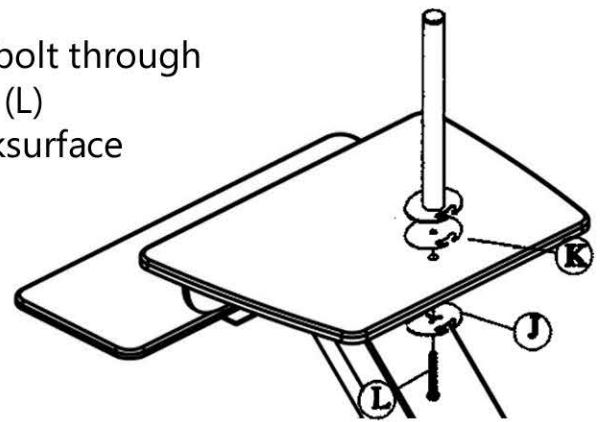
Option B: Bolt Through Kit.



USE OPTION B: BOLT THROUGH KIT WITH QUICKSHIFT

Step 1: Connect the post to the QuickShift using the bolt through plates (J), the foam EVA pad (K) and the M10*90 bolt (L) through the pre-drilled 11mm hole found in the worksurface of the QuickShift.

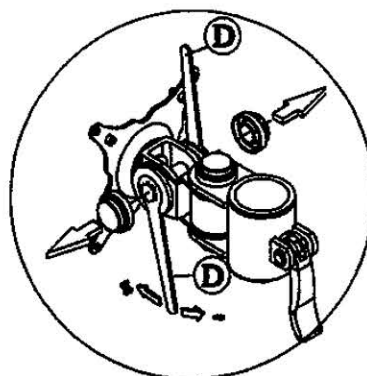
NB: One of the bolt through plates (J) will already be connected to the main post (A). If you wish to use the Pluto Flush Monitor Arm at a later date on a different surface you can by replacing Option B: Bolt Through Kit with Option A: Desk Clamp Kit.



Step 2: Using the 3mm Allen key (G), mount the Monitor to the monitor head (E) with the 4x M4*10 screws (F).

Step 3: Once secured, mount the monitor and monitor head (E) onto the monitor post (A). Lock into place by depressing the lever found on the back of the monitor head.

NB: You can adjust the height of the monitor head by lifting the lever at the back of the monitor head and raising or lowering on the post. PLEASE ENSURE YOU ARE HOLDING THE SCREEN FIRMLY WHEN RELEASING THE LOCK ON THE MONITOR HEAD.



Step 4: If required, remove the caps covering the tilt bolt on the monitor head (E) and tighten using the 2x wrenches provided (D).

NB: This step will only need to be performed if the monitor is tilting forward due to its added weight on the head.

ELEVAR
Ph. 1300 141 142

YOUR QUICKSHIFT WITH SINGLE MONITOR ARM IS NOW READY TO BE USED