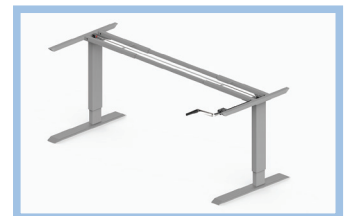


E SERIES CRANK+ STRAIGHT DESK

Enhance workplace connectivity and performance



Elevar Crank+ is a range of manual height adjustable frames with a difference!

FEATURES AND BENEFITS

Most manual crank frames change height very slowly and don't go to a height suitable for anything other than sitting. Not the Crank+!

You can get from bottom to top in only 38 turns on the straight desk and twice as fast as other desks on the 3 leg frames! The maximum height is 1105mm with a 25mm top – suitable for standing height operation for most users.

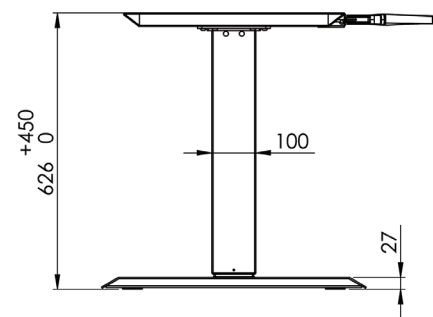
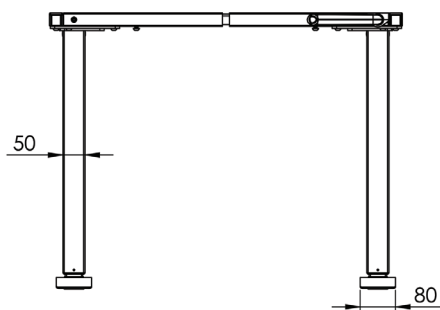
Backed by a 10 year warranty on frame and mechanical components and available in straight, 90° and 120° frames in Silver and White, the Elevar Crank+ becomes a new standard for manual height adjustable frames.

ELEVAR
elevar.com.au
1300 141 142

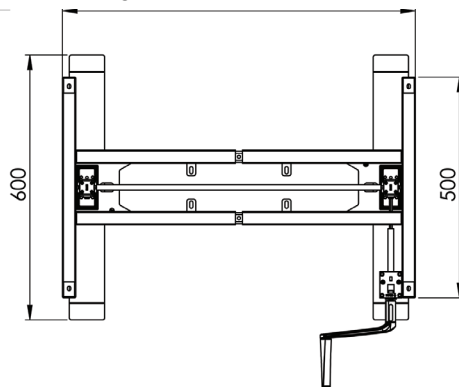
TECHNICAL SPECIFICATION

PRODUCT CODE: EVC-1000

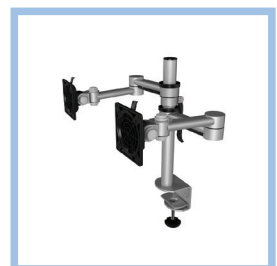
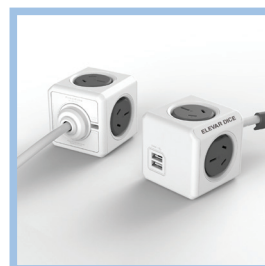
- Description Manual height adjustable frames with a difference!
- Configuration Straight, 90°, and 120°
- Height Range 655mm – 1105mm with 25mm top
- Top Range 800-2100mm Wide, 600-900mm Deep
- Rotation Speed 12mm per turn on straight frames, 4.5mm per turn on 3 leg frames
- Max Weight 100kg static, 50kg dynamic
- Colours Silver and white
- Warranty 10 Years on frame and mechanical components



Short Beam 800-1200mm
Long Beam 1100-1800mm



Accessories



ELEVAR
elevar.com.au
1300 141 142